

AC Current Transformer 100A

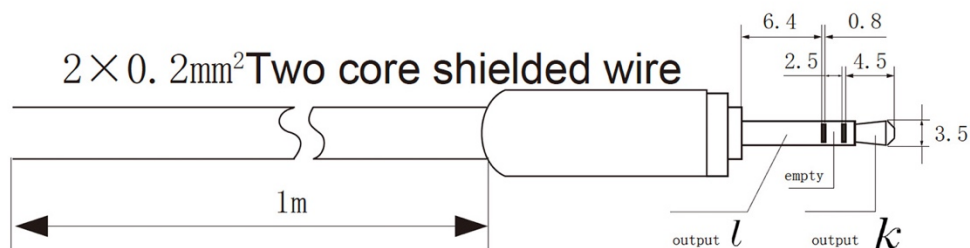


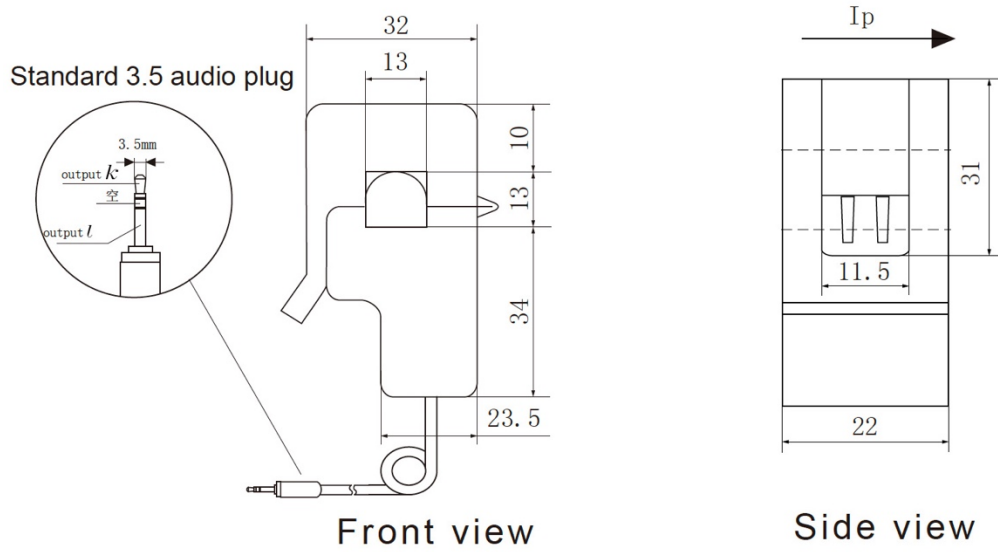
Features:

The SCT-013-000 AC Current Transformer is designed for accurate, non-invasive current measurement in AC circuits up to 100A. Featuring a ferrite core and 13mm × 13mm clamping aperture, it provides a 50mA current output proportional to the measured load. With ±3% nonlinearity and a precision ratio of 1:2000, it ensures reliable performance for energy monitoring and industrial automation. The transformer is built with UL94-V0 fire-resistant housing and a safety lock buckle for secure installation. Applications include household metering, motor load detection, lighting systems, and portable instruments.

Specifications	
Model	SCT-013-000
Input Current	0–100A AC
Output Type	0–50mA
Core Material	Ferrite
Opening Size	13mm × 13mm
Turns Ratio	1:2000
Load Resistance	10 Ω
Accuracy	1%
Linearity	±3% (10%–120% rated input current)
Weight	50g
Dielectric Strength	1000V AC / 1min
Fire Resistance	UL94-V0
Working Temperature	-25°C to +70°C
Mechanical Strength	≥1000 switching cycles (25°C)
Usage	Current measurement and load monitoring for AC motors, lighting, and compressors

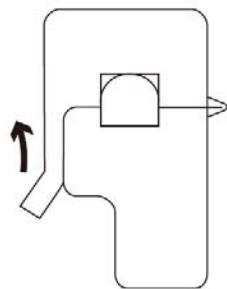
Product Dimensions:



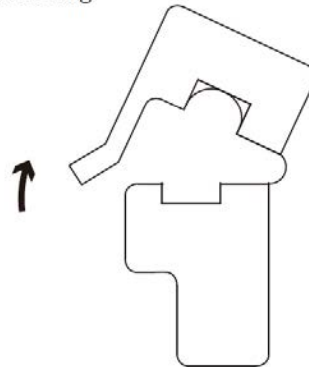


Installation Diagram:

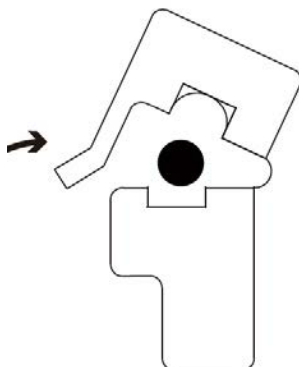
One time threading



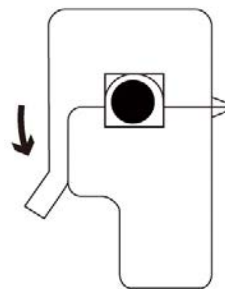
1. Open the buckle



2. Open the buckle



3. Drop lead



4. Fasten the buckle

Product Pictures:

