

# Water Conductivity and Quality Sensor TDS

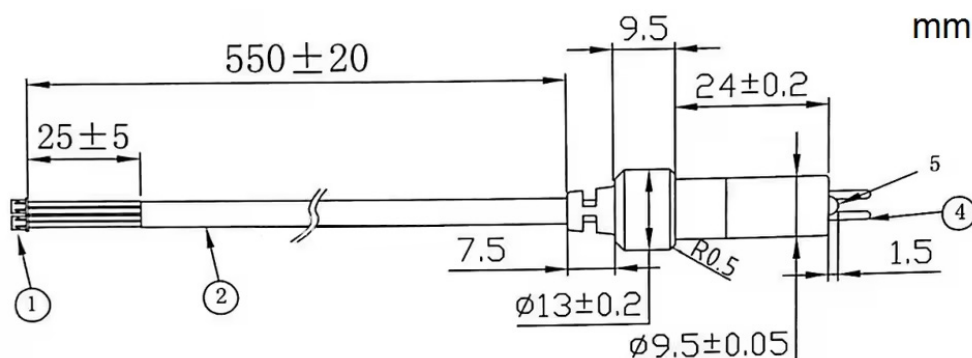


## Features:

The TDS (Total Dissolved Solids) Water Conductivity and Quality Sensor is designed for measuring ionic content in liquids by detecting the electrical conductivity of the solution. Its integrated NTC 10K thermistor provides temperature compensation for more accurate readings across a wide thermal range. Built with a corrosion-resistant SUS316 stainless-steel electrode and sealed in a 3/8" plastic probe, the sensor ensures long-term reliability in continuous water monitoring environments. This module is widely used in water purifiers, hydroponics, aquariums, and industrial water testing systems.

Specifications	
Measuring Range	0–9990 ppm (mg/L)
Resolution	1 mg/L
Accuracy	±2%
Electrode Material	SUS316 Stainless Steel
Probe Type	Plastic Tube, 3/8" Pipe
Probe Diameter	9.5 ±0.2 mm
Operating Voltage	0–24 V DC
Operating Current	< 50 µA
Medium Temperature Range	0–99 °C
Working Temperature Range	0–120 °C
Insulation Resistance	> 50 MΩ
Temperature Sensor	Type NTC 10K Thermistor
TDS Wire Color	Blue
NTC Wire Color	Red
Usage	Water purifier systems, conductivity and quality testing, IoT and laboratory monitoring

## Product Dimensions:



### Pinouts:

Pin Name	Type	Description
Blue Wire	Output	TDS conductivity signal output
Red Wire	Input	NTC 10K temperature sensor signal

## 3/8" quick fit TDS+Temperature for Water Purifier

