

PH Sensor 0-14 Value Detection + BNC PH Electrode



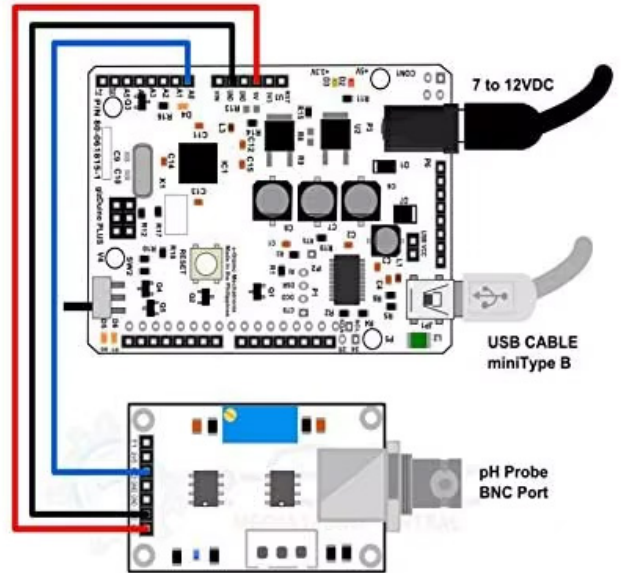
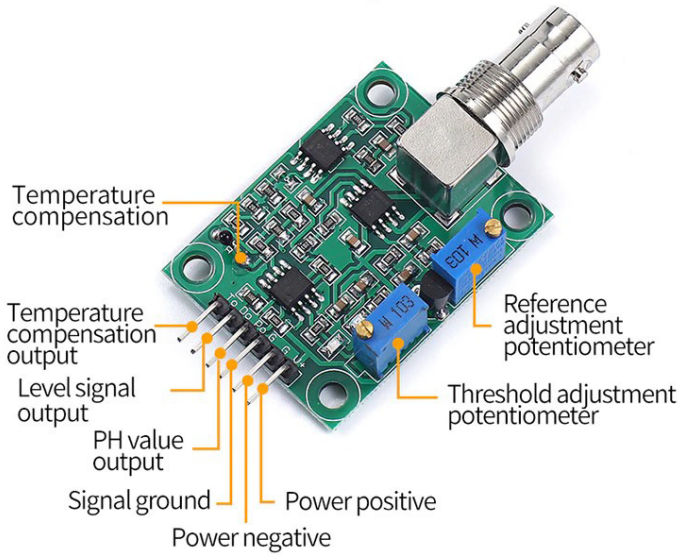
Features:

The PH Sensor 0–14 Value Detection Module integrates an analog front-end circuit and temperature compensation output for precise and reliable liquid PH measurement. The module outputs a voltage signal corresponding to the PH value, easily readable via microcontrollers or ADCs. The companion BNC electrode provides a high-sensitivity response with fast stabilization, suitable for both portable and stationary PH monitoring systems.

PH Sensor 0-14 Value Detection Sensor Module	
Heating voltage	5±0.2V (DC)
Working current	5–10mA
Detection concentration range	PH 0–14
Detection temperature range	0–80°C
Response time	<5s
Stability time	<60s
Component power consumption	<0.5W
Working temperature	–10~50°C (nominal 20°C)
Working humidity	95%RH (nominal 65%RH)
Output mode	Analog voltage signal output
Temperature compensation output	Included

PH Electrode Probe BNC	
PH range	0–14
Temperature range	0–80°C
Zero point	7 ±0.25PH
Alkali error	≤15mV
Theoretical slope	≥98%
Internal resistance	≤250MΩ
Response time	≤1 min
Operating temperature	0–60°C
Terminal type	BNC plug
Connector compatibility	Most PH meters and controllers
Applications	Aquariums, Hydroponics, Laboratories, Water quality monitoring

Pinouts:



Product Pictures:

