

74LS147 10 to 4 Line Priority Encoder IC

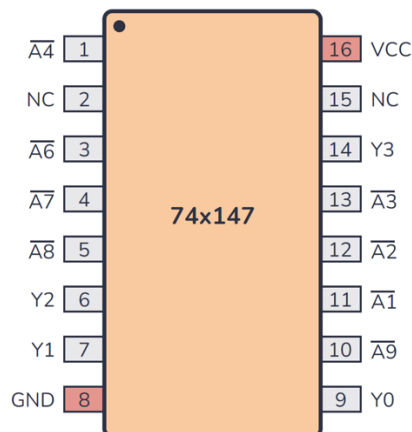


Features:

The 74LS147 10-Line to 4-Line Priority Encoder IC is a 10-to-4 inverting priority encoder that converts 10 active low input lines into a 4-bit coded output. When more than one input is active, the IC gives priority to the highest-numbered active input and outputs its coded representation. It is TTL compatible and suitable for digital control, input selection, signal encoding, and memory addressing circuits.

Specifications	
Part Number	74LS147
Device Type	Priority encoder IC
Encoder Type	10-line to 4-line
Logic Family	LS TTL
Input Type	Active low
Output Type	4-bit coded output
Priority Function	Highest-numbered active input has priority
Supply Voltage	5V
Package	16-pin
Logic Compatibility	TTL compatible
Output Current	0.4 mA high sourcing, 8 mA low sinking
Dimensions	1.9x0.9x0.7cm
Applications	Data compression, input line selection, digital systems, memory addressing
Usage	Encoding multiple active low input lines into a 4-bit priority output

Pinouts:



Pin Name	Type	Description
A4	Input	Active low input A4 to the priority encoder
NC	Not connected	Not connected
A6	Input	Active low input A6 to the priority encoder
A7	Input	Active low input A7 to the priority encoder
A8	Input	Active low input A8 to the priority encoder
Y2	Output	Output bit Y2 from the priority encoder
Y1	Output	Output bit Y1 from the priority encoder
GND	Power	Ground connection
Y0	Output	Output bit Y0 from the priority encoder
A9	Input	Active low input A9 to the priority encoder
A1	Input	Active low input A1 to the priority encoder
A2	Input	Active low input A2 to the priority encoder
A3	Input	Active low input A3 to the priority encoder
Y3	Output	Output bit Y3 from the priority encoder
NC	Not connected	Not connected
VCC	Power	Positive power supply, connect to +5V

Product Pictures:

