

BMP180 Barometric Pressure Sensor Module GY-68 - 4 Pins



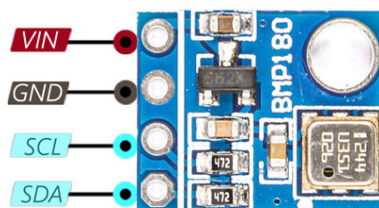
Features:

The BMP180 Barometric Pressure Sensor Module GY-68 is designed to measure absolute environmental pressure and temperature using a digital barometer sensor. Through I2C communication, it provides pressure and temperature data that can be used with calibration values for temperature compensated altitude calculation. It is suitable for robotics, aircraft, projectiles, weather monitoring, and low power battery powered applications.

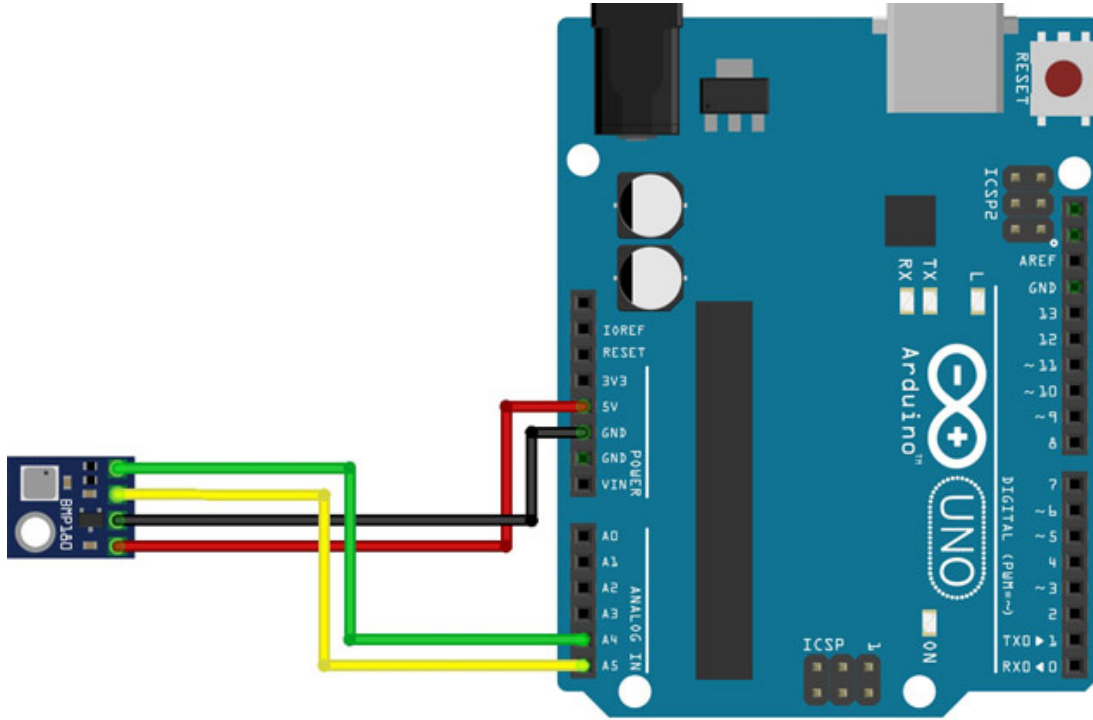
Specifications	
Product Name	BMP180 Barometric Pressure Sensor Module GY-68 - 4 Pins
Sensor	BMP180
Module	GY-68
Supply Voltage	1.8V to 3.6V
Interface	I2C
Max I2C Speed	3.5MHz
Pressure Range	300hPa to 1100hPa
Altitude Range	+9000m to -500m
Low Power Consumption	0.5uA at 1Hz
Noise	Up to 0.02hPa, 17cm
Calibration	Fully calibrated
Package Included	1 x GY-68 BMP180 Digital Barometric Pressure Sensor Module
Usage	Barometric pressure, temperature, and altitude measurement

Pinouts:

Pin Name	Type	Description
VIN	Power	Supply voltage input
GND	Power	Ground connection
SCL	Input	I2C clock line
SDA	Input and Output	I2C data line



Wiring Diagram:



Product Pictures:

