

## Leadshine Driver DM542-05



### Features:

The Leadshine Driver DM542-05 is a fully digital stepper motor driver based on advanced DSP control technology. It delivers smooth motion, optimal torque output and eliminates mid range instability for CNC machines, laser systems and automation equipment. Supporting up to 4.2A output current and 18-50VDC input, it offers multi stepping, anti resonance control and 15 selectable microstep resolutions for precise and stable motor performance.

Specifications	
Product Name	Leadshine Driver DM542-05
Driver Type	Digital Stepper Motor Driver
Supply Voltage	18-50VDC
Maximum Output Current	Up to 4.2A
Input Pulse Frequency	Up to 200KHz
Control Modes	PUL DIR, CW CCW
Motor Compatibility	2 Phase and 4 Phase Stepper Motors
Microstep Resolutions	400, 800, 1600, 3200, 6400, 12800, 25600, 1000, 2000, 4000, 5000, 8000, 10000, 20000, 25000
Input Type	Optically Isolated TTL Compatible
Protection	Overvoltage, Overcurrent, Phase Fault
Idle Current Reduction	Automatic
Technology	Advanced DSP Control Algorithm
Usage	CNC machines, laser systems, automation equipment

### Dimensions:

(unit: mm [1inch=25.4mm])

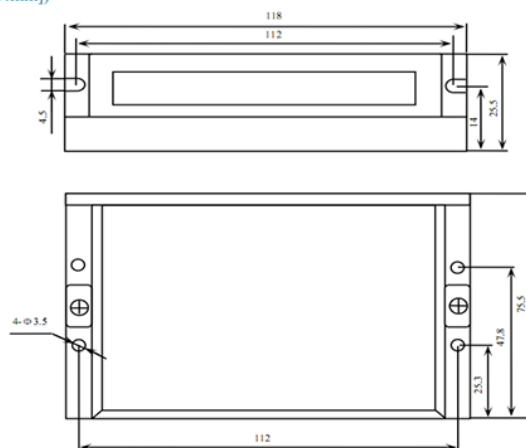


Figure 1: Mechanical specifications

