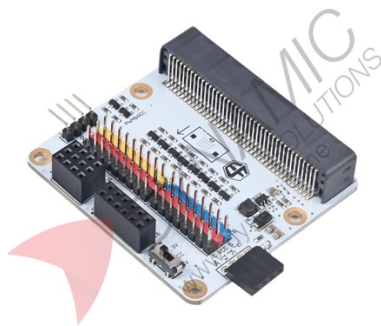


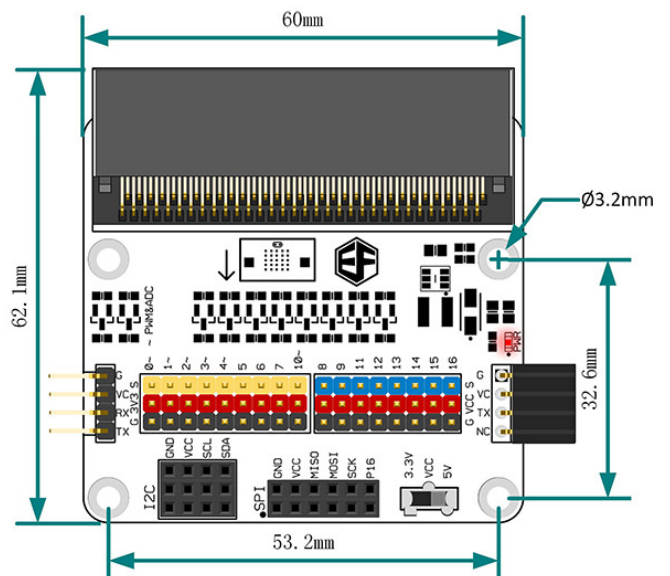
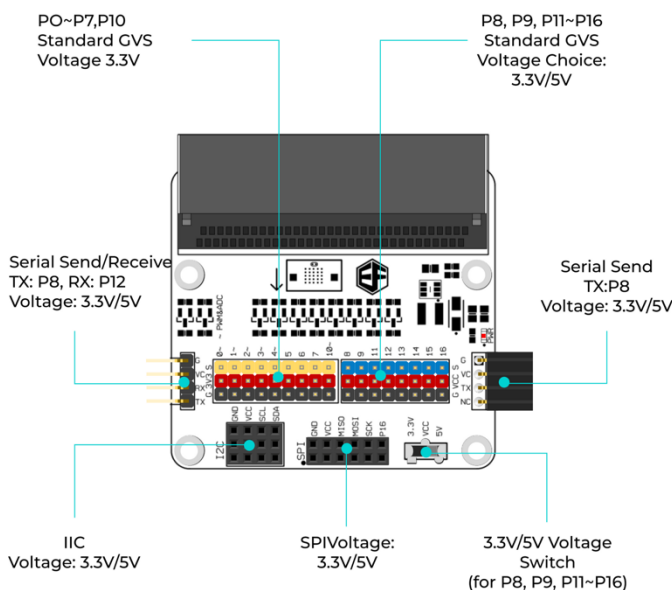
ELECFREAKS Octopus:bit (Breakout Board For micro:bit)



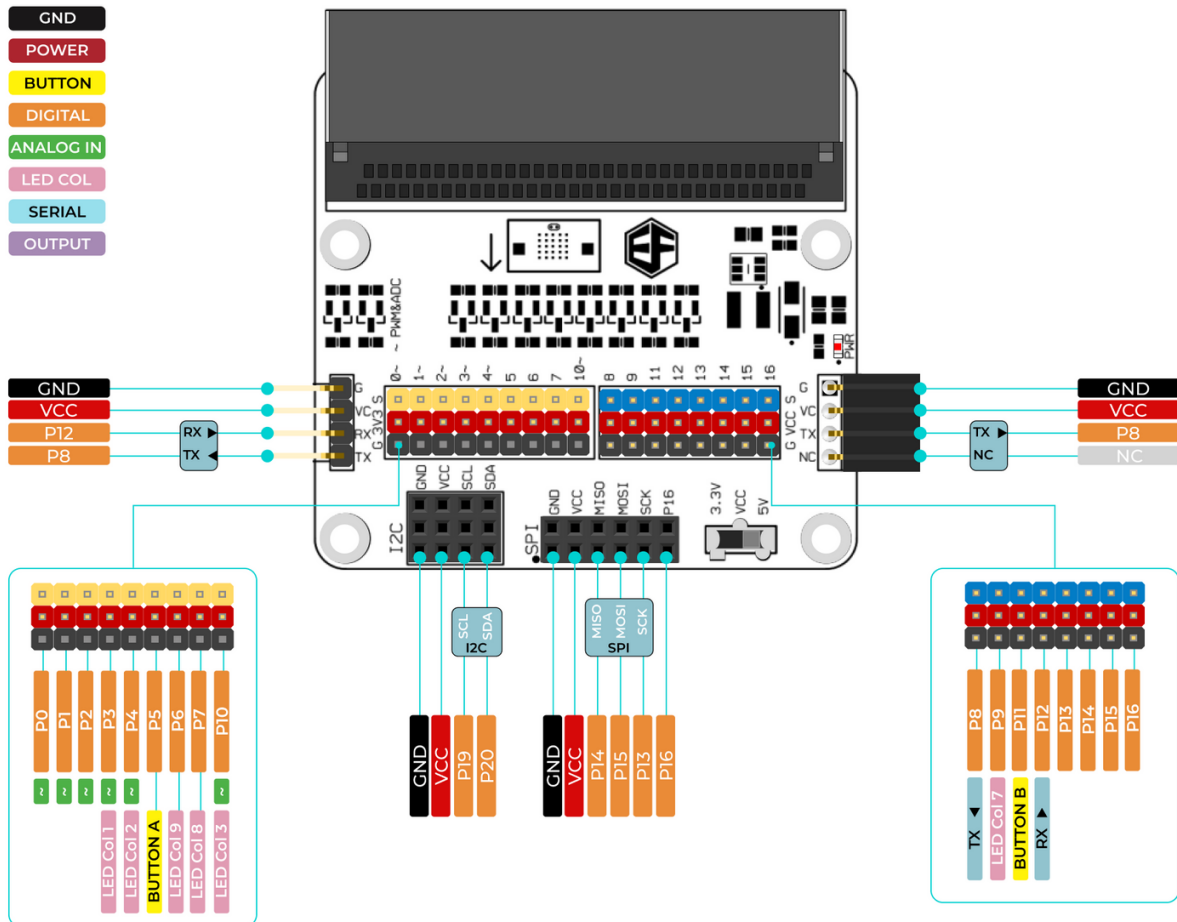
Features:

The ELECFREAKS Octopus:bit is a professional breakout board designed for Micro:Bit expansion. It provides access to all GPIO, I2C, SPI, and serial ports, making it suitable for advanced prototyping and educational use. With integrated voltage-level shifting, ports P8, P9, and P11–P16 can be toggled between 3.3V and 5V, enabling direct connection to both low- and high-voltage sensors. Each port follows a standard GVS (Ground–Voltage–Signal) layout with color-coded markings for easy wiring. Supporting multiple I2C and SPI channels, it is fully compatible with Octopus series accessories and allows serial communication between two boards.

Specifications	
Input Voltage	3.3V (via Micro:Bit edge connector)
Switchable Voltage	3.3V / 5V (ports P8, P9, P11–P16)
GPIO Access	P0–P16, P19–P20
Communication Ports	Serial, I2C (3 channels), SPI (2 channels)
Voltage Switching	Method: Sliding switch for level shift
Port Type	GVS (Ground–Voltage–Signal), color-coded
Compatibility	Fully compatible with Octopus series modules
Serial Port	Supports direct communication between two boards
Design	Color-coded for easy module connection
Usage	Micro:Bit expansion board for GPIO, I2C, SPI, and serial communication



Pins & Connectors:



Product Pictures:

