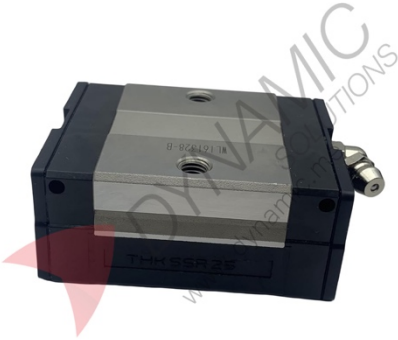


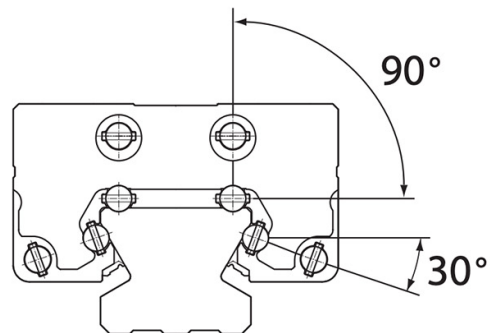
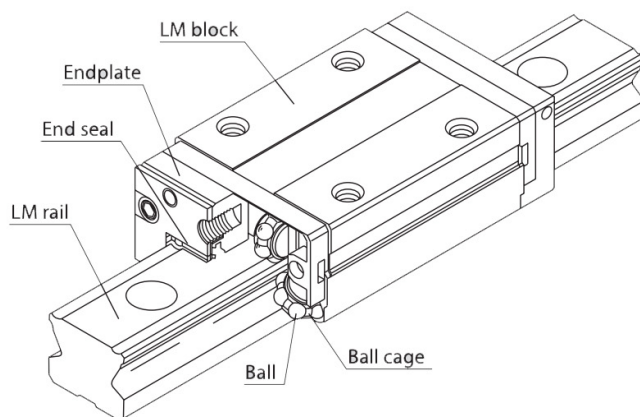
# THK Linear Guide Carriage SSR25XV1SS



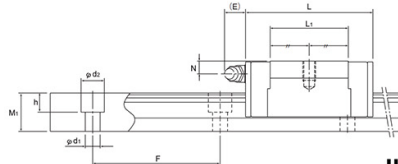
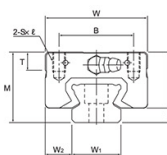
**Features:**

The THK SSR25XV1SS Linear Guide Carriage from the SSR-XV series employs THK's innovative caged-ball design to eliminate friction between rolling elements. This ensures long service life, reduced noise, and maintenance-free performance. The compact structure and self-aligning DF (face-to-face) groove configuration provide exceptional rigidity, smooth linear travel, and accurate motion even under preload. Designed for precision applications such as CNC machinery, automation systems, and high-speed linear positioning equipment.

Specifications	
Manufacturer	THK
Model	SSR25XV1SS
Series	SSR-XV
For Rail Width	23 mm
Carriage Length	60 mm
Carriage Width	48 mm
Dynamic Load Rating	21.7 kN
Static Load Rating	22.5 kN
Structure	Caged Ball, DF Groove
Noise Level	Low
Alignment	Self-Aligning
Accuracy	High Planar Running Accuracy
Maintenance	Long-term Maintenance-Free
Type	Short Type
Usage	Linear motion guidance for CNC and automation applications



## SSR-XV:



Unit = mm

MODEL NO.	OUTER DIMENSIONS			LM BLOCK DIMENSIONS								W <sub>2</sub>	H <sub>3</sub>	BASIC LOAD RATING		STATIC PERMISSIBLE MOMENT kN-M					MASS kg
	HEIGHT M	WIDTH W	LENGTH L	B	S x ℓ	L <sub>1</sub>	T	K	N	E	GREASE NIPPLE			C kN	C0 kN	MA		MB		MC	
																1 BLOCK	DOUBLE BLOCK	1 BLOCK	DOUBLE BLOCK	1 BLOCK	
SSR 15XV	24	34	40.3	26	M4x7	23.3	6.5	19.5	4.5	5.5	PB1021B	9.5	4.5	9.1	9.7	0.0303	0.192	0.0189	0.122	0.0562	0.08
SSR 20XV	28	42	47.7	32	M5x8	27.8	8.2	22	5.5	12	B-M6F	11	6	13.4	14.4	0.0523	0.336	0.0326	0.213	0.111	0.14
SSR 25XV	33	48	60	35	M6x9	36.8	8.4	26.2	6	12	B-M6F	12.5	6.8	21.7	22.5	0.104	0.661	0.0652	0.419	0.204	0.23

## Model and Types of LLM Block:

MODEL	TYPE	FEATURES
SSR-XW	Standard Type	<ul style="list-style-type: none"> <li>With this type, the LM block has a smaller width and tapped holes on the top face of the block.</li> <li>This is suitable for design compact in the height and width dimensions.</li> </ul>
SSR-XV	Short Type	<ul style="list-style-type: none"> <li>A space-saving type whose LM block has the same cross-sectional shape as model SSR-XW, but has a smaller overall LM block length.</li> </ul>

## Model Number Coding:

BLOCK						
MODEL NUMBER	BLOCK TYPE	BLOCK QUANTITY	SEAL TYPE	RADIAL CLEARANCE	SYMBOL FOR INTERCHANGEABLE BLOCK & RAIL	SAMPLE PART NUMBER
SSR20	XV	1	SS	C1	(GK)	SSR20XV1SSC1(GK) BLOCK
		<i>Standard for interchangeable blocks = 1</i>	<i>Standard for SSR*: Contamination Protection Seal "SS"</i>	<i>Normal Clearance = No Symbol; Light Preload = C1</i>		

: Choose Quick-Ship Option  
 : Standard/Only Quick Ship Option

**Product Pictures:**

