

Digital Voltmeter Ammeter 100V 10A



Features:

The Digital Voltmeter Ammeter 100V 10A provides simultaneous monitoring of DC voltage and current through a dual-color LED display. Its 0.28" digits ensure clear visibility, with voltage shown in red and current in blue. Designed with high accuracy ($\pm 0.1\%$ voltage, $\pm 1\%$ current) and low power consumption, this unit is suitable for DC circuits up to 100V and 10A. With an external $75m\Omega$ shunt, it can reliably measure load currents for power supplies, battery packs, solar systems, and DIY electronics projects.

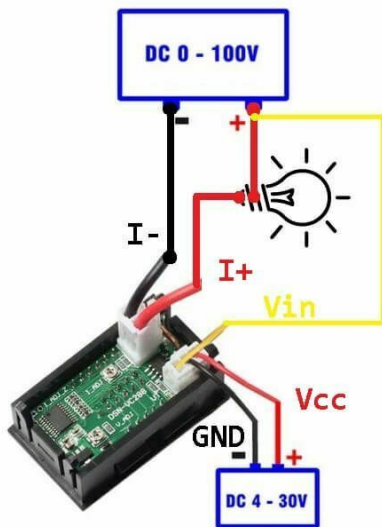
| Specifications | |
|-----------------------|--|
| Supply Voltage | 4.5–30V DC |
| Supply Current | $\leq 20mA$ |
| Measuring Range | 0–100V DC / 0–10A DC |
| Resolution | 0.1V / 0.01A |
| Voltage Accuracy | $\pm 0.1\%$ |
| Current Accuracy | $\pm 1\%$ |
| External Shunt | $75m\Omega$ |
| Refresh Rate | $\sim 300ms$ |
| Display | 0.28" dual-color LED (Red/Blue) |
| Dimensions | $48 \times 29 \times 22$ mm |
| Operating Temperature | $-10^{\circ}C$ to $+65^{\circ}C$ |
| Usage | Voltage and current monitoring in DC-powered systems |

Product Dimensions:



Pinouts:

| Pin Name | Type | Description |
|----------|---------|--|
| I+ | Current | Positive input for current measurement |
| I- | Current | Negative input for current measurement |
| VIN | Voltage | Voltage measurement input |
| VCC | Power | Positive supply voltage (4.5–30V DC) |



Product Pictures:

