

Solid State Relay Module 2 Channels 5V



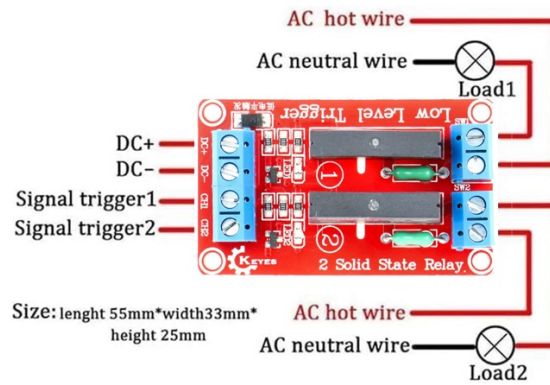
Features:

The Solid State Relay Module 2 Channels 5V features 2x Omron G3MB-202P solid state relays for reliable, silent switching of AC loads up to 240V at 2A. A Solid State Relay is similar to a mechanical relay but can be triggered with a digital signal, producing no noise and offering a much longer lifespan. This module is opto-isolated with low quiescent current and built-in fuse protection for safe operation. Perfect for automation, industrial control, and DIY electronics projects. Compatible with microcontrollers such as Arduino, Raspberry Pi, and other 5V logic devices.

Specifications	
Channels	2
Input Voltage	5VDC
Output Voltage	240VAC
Output Current	2A (resistive load)
Relay Type	2x Omron G3MB-202P Solid State Relays
Control Signal Input	Low (0-2.5V = ON), High (3-5V = OFF)
Quiescent Current	0 mA
Operating Current	12.5 mA
Trigger Voltage	3.3–5V
Trigger Current	2 mA
Dimensions	55 x 33 x 25 mm
Usage	Automation, industrial controls, DIY electronics

Pinouts:

Pin Name	Type	Description
DC+	Power Input	Positive power supply (5VDC)
DC-	Power Input	Negative power supply (Ground)
CH1	Signal Input	Relay channel 1 trigger (active low)
CH2	Signal Input	Relay channel 2 trigger (active low)



Product Pictures:

