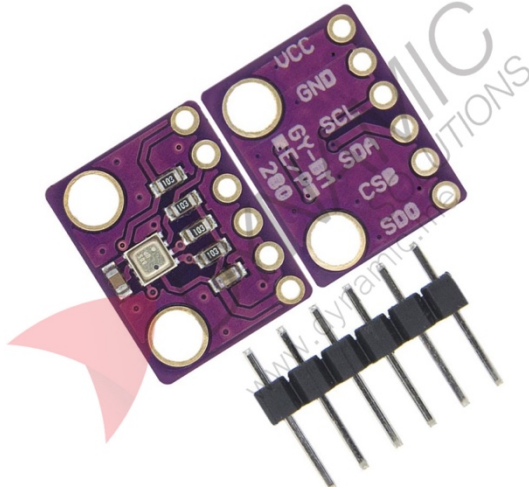


# BOSCH Pressure Sensor GY-BMP280-3.3



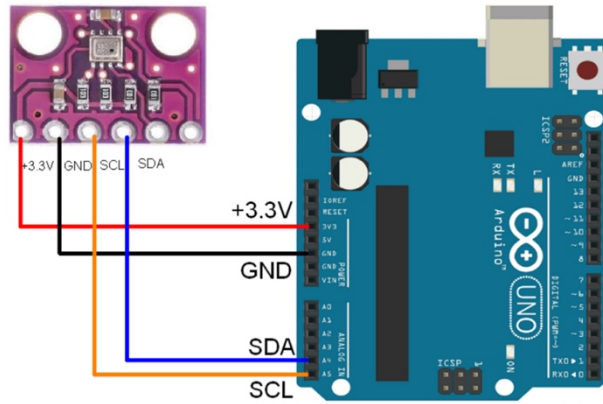
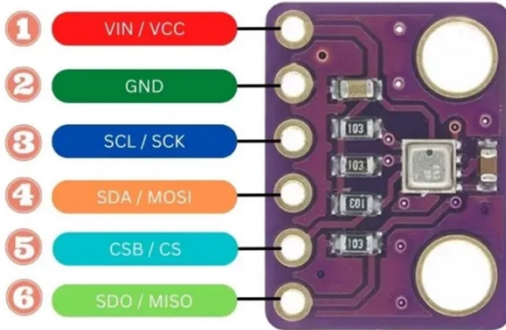
## **Features:**

The Bosch GY-BMP280-3.3 is a compact, low-power barometric pressure and temperature sensor designed for high precision applications. With a pressure measurement range of 300–1100 hPa and temperature accuracy of  $\pm 1.0^{\circ}\text{C}$ , it delivers accurate environmental data for weather monitoring, GPS enhancement, indoor navigation, and altitude measurement. The sensor supports both I2C and SPI interfaces, allowing easy integration with Arduino, Raspberry Pi, and other microcontroller platforms. Its high resolution enables applications such as vertical velocity indication, floor detection, and healthcare monitoring.

Specifications	
Parameter	Value
Model	GY-BMP280-3.3
Power Supply	3.3V DC
Communication	I2C / SPI
Pressure Range	300 ~ 1100 hPa
Pressure Accuracy	$\pm 1$ hPa
Temperature Accuracy	$\pm 1.0^{\circ}\text{C}$
Altitude Accuracy	$\pm 1$ m
Pin Pitch	2.54 mm
Module Size	11.5 × 15 mm
Usage	Weather forecasting, GPS navigation, indoor navigation, altitude measurement, healthcare, sports

## **Pinouts:**

Pin Name	Type	Description
VCC	Power	3.3V DC supply input
GND	Power	Ground connection
SCL	Digital	I2C clock / SPI SCK
SDA	Digital	I2C data / SPI MOSI
CSB	Digital	Chip select for SPI
SDO	Digital	SPI MISO / I2C address select



**Product Pictures:**

