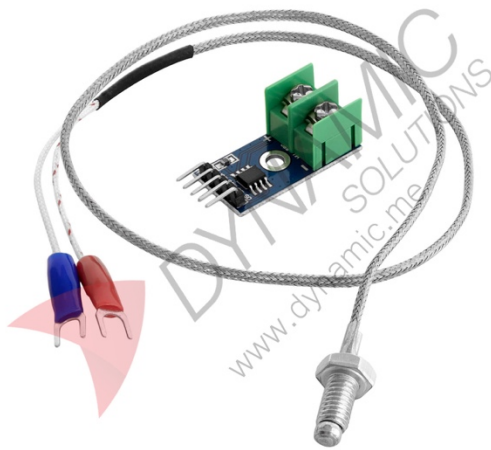


# MAX6675 Sensor with Probe K Type Thermocouple



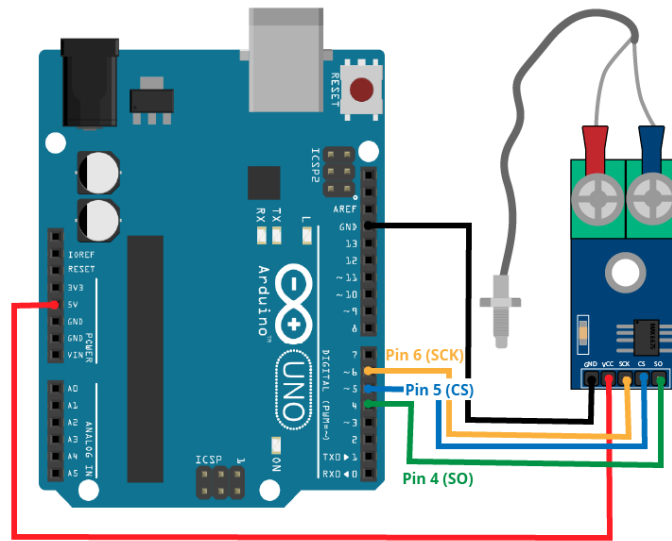
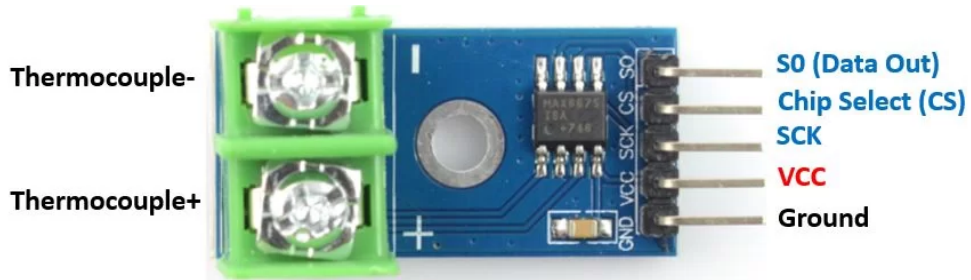
## **Features:**

The MAX6675 K-Type Thermocouple Sensor Module is a precision temperature sensing device capable of reading temperatures up to 1024°C with 0.25°C resolution. It includes a cold-junction compensated 12-bit digital converter and a K-type thermocouple probe that can withstand temperatures up to 1250°C. It communicates over SPI and is compatible with Arduino, Raspberry Pi, and other microcontrollers. This module is ideal for industrial, scientific, and high-temperature monitoring applications.

Specifications	
Temperature Range	0°C to +1024°C
Probe Max Temperature	1250°C
Resolution	0.25°C
Operating Voltage	3.0V to 5.5V
Current Consumption	50mA
SPI Interface Compatibility	Yes
Output Format	12-bit SPI
Cold-Junction Compensation	Yes
Open Thermocouple Detection	Yes
Module Dimensions	25mm x 15mm x 13mm

## **Pinouts:**

Pin Name	Type	Description
SO	Output	Serial Data Out
CS	Input	Chip Select
SCK	Input	Serial Clock
VCC	Power	3.0V to 5.5V Input
GND	Power	Ground
T+	Input	K-Type Thermocouple Positive (Red)
T-	Input	K-Type Thermocouple Negative (Blue)



**Product Pictures:**

