

# Leadshine Stepper Motor 86CM85

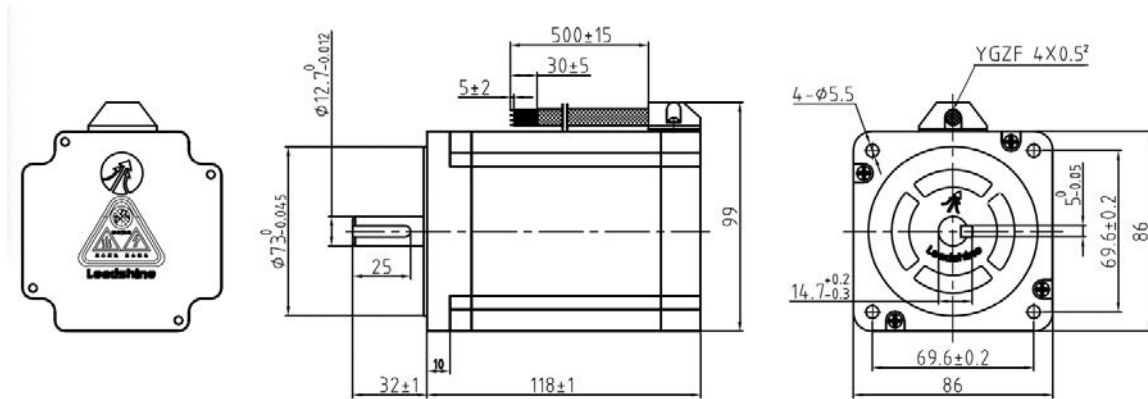


## **Features:**

The Leadshine Stepper Motor 86CM85 is a robust NEMA 34, two-phase stepper motor designed for precision motion control. It delivers 8.5 N·m holding torque with 6A phase current and operates with low vibration and heating. Built using premium materials, including high-grade bearings and shafts, it ensures durability and stability in CNC machines, robotics, and industrial automation systems.

Specifications	
Model	86CM85
Frame Size	NEMA 34
Length	118 mm
Step angle	1.8°
Position accuracy	1.8° ±0.09°
Dielectric strength	500VAC 1min
Insulation resistance	100MΩ (500VDC)
Insulation class	B
Temperature rise (Max)	80K
Radial play	Max 0.02 mm (Load 450g)
Axial play	Max 0.08 mm (Load 900g)
Phase Current	6.0A
Voltage	3V
Resistance/phase	0.53Ω
Inductance/phase	4.25 mH
Holding torque	8.5 N·m (1204 oz-in)
Shaft Diameter	12.7 mm (0.5 inch)
Center Diameter	73 mm
Inertia	2.7 kg·cm <sup>2</sup>
Weight	3.8 kg
IP Rating	IP40
Characteristics	Standard
Number of Phases	2
Usage	CNC machines, robotics, automation, precise motion control

### Product Dimensions:



### Product Pictures:

