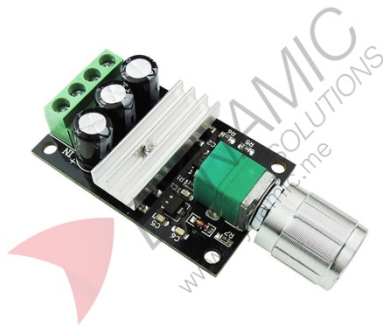


# PWM Motor Speed Controller 6-28V 3A



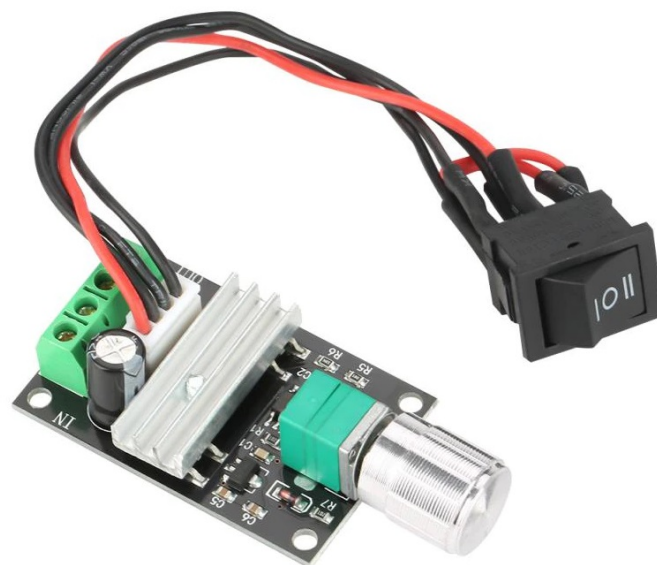
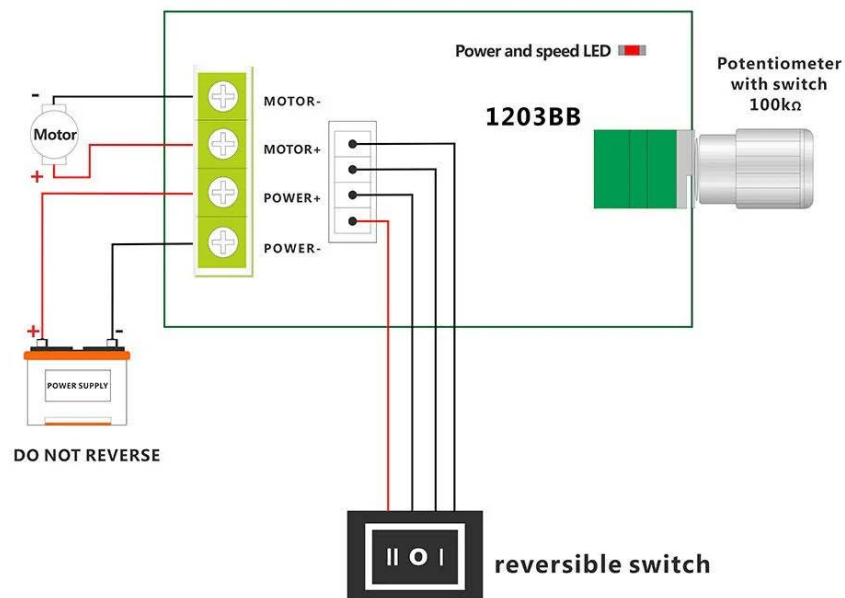
## **Features:**

The PWM Motor Speed Controller 6–28V 3A is a compact module designed to regulate the rotation speed of DC motors with precision and efficiency. Using pulse-width modulation (PWM) technology, it provides smooth, stepless control from 0–100 % via a rotary potentiometer. Its screw terminal connections simplify integration, while the design supports a wide input voltage range of 6–28 V DC, making it suitable for a variety of small motor control applications.

Specifications	
<b>Model</b>	PWM control switch module with capacitors
<b>Function</b>	Stepless DC motor speed control
<b>Supply Voltage Range</b>	6–28 V DC
<b>Operating Current</b>	≤ 3 A
<b>Maximum Output Power</b>	80 W
<b>Speed Adjustment Range</b>	0–100 %
<b>Control Method</b>	Rotary potentiometer
<b>Connectivity</b>	Screw terminals for motor (+/–) and power supply (+/–)
<b>Operating Temperature</b>	-30 °C to 80 °C
<b>Dimensions</b>	32 × 70 × 15 mm
<b>Use</b>	Speed regulation of small DC motors in electronics, hobby, and automation projects

## Pinouts:

Pin Name	Type	Description
V+	Power Input	Positive terminal of DC power supply (6–28 V)
V-	Power Ground	Negative terminal of DC power supply
M+	Motor Output	Positive terminal of DC motor
M-	Motor Output	Negative terminal of DC motor



**Product Pictures:**

