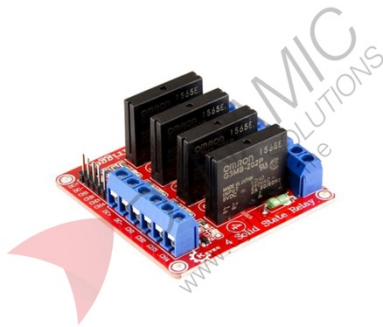


TA2024 Digital Audio Amplifier 12V

2x15W



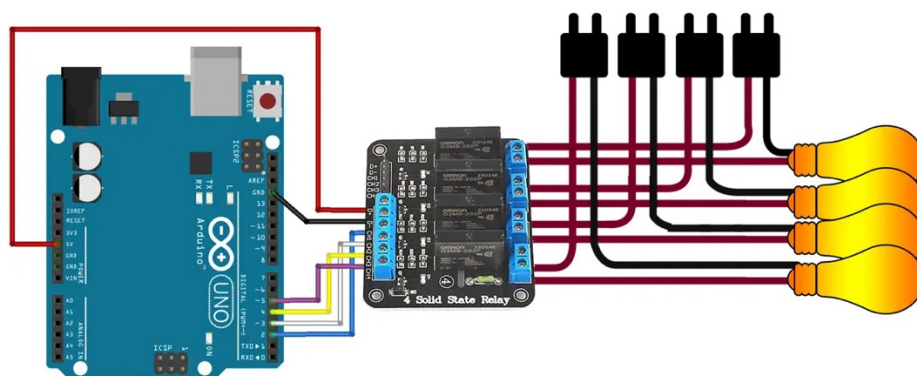
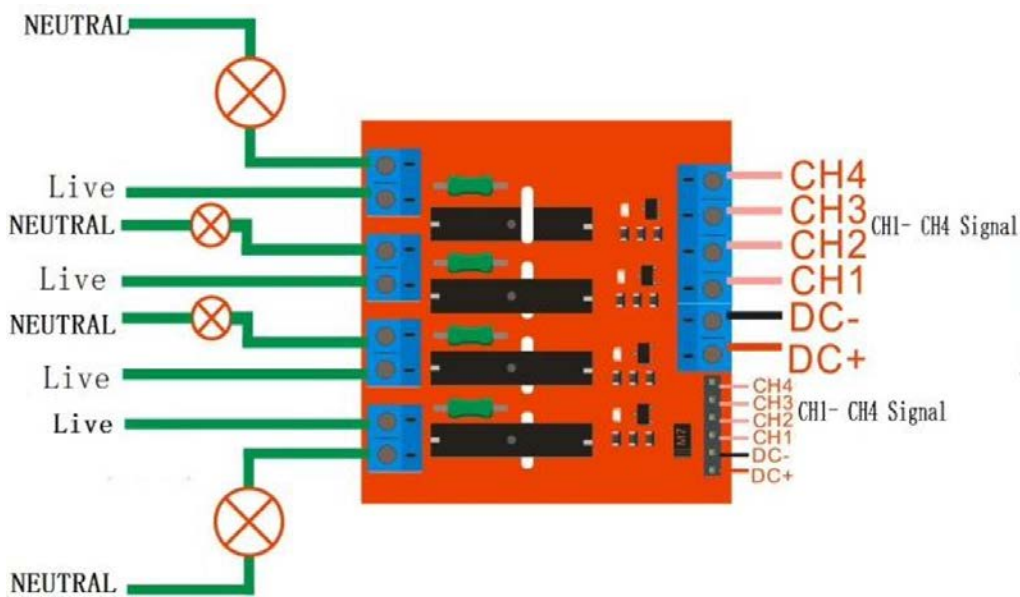
Features:

The 4-channel solid-state relay module is based on OMRON 5 V, 240 V AC / 2 A relays with built-in resistance-type fuses for protection. It offers high-speed, silent switching and a long lifespan compared to mechanical relays. Each channel can be triggered by a high-level signal (3.3–5 V), making it compatible with Arduino, Raspberry Pi, and other microcontrollers. Terminal blocks and 2.54 mm pin headers allow convenient wiring.

Specifications	
Relay Type	OMRON Solid-State Relay, 240 V AC, 2 A
Number of Channels	4
Control Voltage	5 V DC
Trigger Voltage (High Level)	3.3–5 V
Trigger Current	2 mA per channel
Standby Current	0 mA
Operating Current (All Channels ON)	~48 mA
Input Connector Type	2.54 mm pin header
Output Connector Type	Screw terminal block (KF301)
Board Dimensions	57 × 55 × 25 mm
Net Weight	40 g
Isolation Method	Opto-isolated inputs
Protection	Resistance-type fuse in each relay output
Use	Microcontroller-controlled AC switching, automation, home control systems

Pinouts:

Pin Name	Type	Description
DC+	Power Input	5 V DC module power supply
DC-	Power Ground	Common ground for power and control signals
CH1	Input	Trigger signal for relay channel 1 (high-level trigger)
CH2	Input	Trigger signal for relay channel 2 (high-level trigger)
CH3	Input	Trigger signal for relay channel 3 (high-level trigger)
CH4	Input	Trigger signal for relay channel 4 (high-level trigger)
OUT1	Output	AC load output channel 1
OUT2	Output	AC load output channel 2
OUT3	Output	AC load output channel 3
OUT4	Output	AC load output channel 4



Product Pictures:

