

DIN-Rail Digital Meter D52-2042 (AC 80–300V, 100A)



Feature

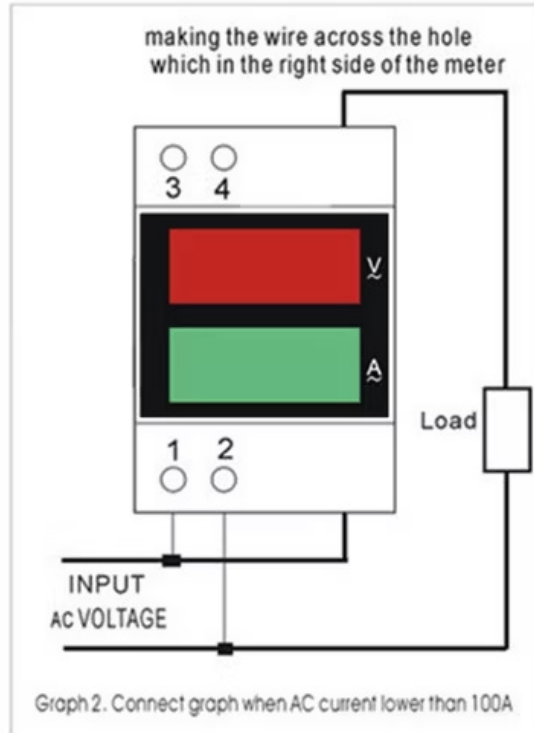
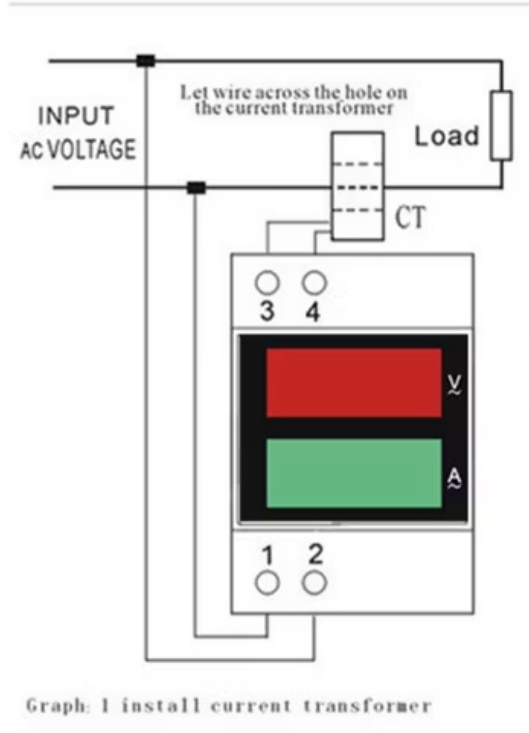
D52-2042 is a DIN-rail mount, dual-display digital meter showing AC voltage and current simultaneously. It supports AC 80-300 V voltage range and 0.00-99.9 A current directly through its built-in hole without an external transformer; for higher current up to 199 A, an external transformer is available. With 1% +2 digit accuracy, a 0.5" LED display, low power consumption, and a measurement rate of about twice per second, it is ideal for pure AC 50-60 Hz circuits. Inverter or non-sine input use is not supported and may damage the unit.

Specifications	
Model	D52-2042
Mounting	DIN-rail
Accuracy	1% +- 2 digits
Display	0.5" LED digital tube
Voltage Range	AC 80-300 V (also supports 200-450 V)
Current Range	AC 0.00-99.9 A (up to 199 A with external transformer)
Power Consumption	< 0.2 VA
Measuring Speed	~2 readings per second
Operating Temp.	-10 C to +65 C
Dimensions (mm)	54 x 80 x 64
Application	Single-phase AC voltage and current monitoring
Use Cases	Panel meters, switchboards, industrial equipment

Pinouts:

Pin Name	Type	Description
1 & 2	Power Input	AC voltage input terminals
3 & 4	Signal Input	For external CT secondary connection (for >99.9 A)
Built-in Hole	Current Sense	Built-in hole for threading phase wire (\leq 99.9 A)

Product Wiring:



Product Dimensions:



Product Pictures:

